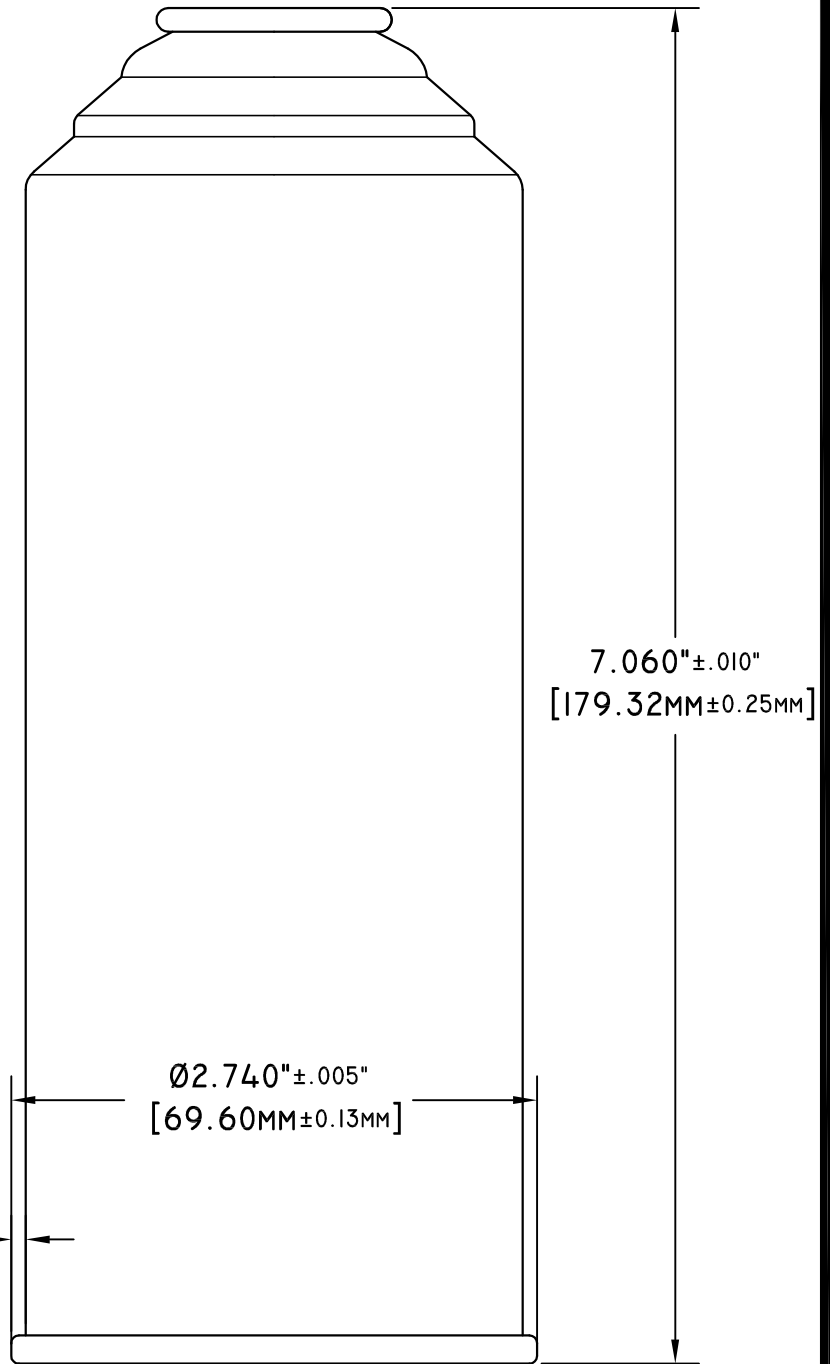
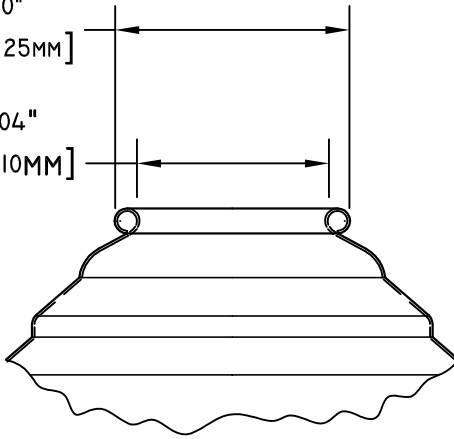


LT.	BY	DATE	REVISION
A	RW	01/12/12	REVISED TO REFLECT HV400 BOTTOM
B	RW	01/19/12	ADDED METRIC DIMENSIONS
C	ST	02/22/12	REVISED PRESSURES

1.221"±.010"
[31.01MM±0.25MM]

1.000±.004"
[25.40±0.10MM]

I.D.



7.060"±.010"
[179.32MM±0.25MM]

Ø2.740"±.005"
[69.60MM±0.13MM]

.075"
[1.91MM]

NOTES:

1. CONTAINER COMPLIES WITH SPECIAL PERMIT SPI0232
2. VENT PRESSURE: 380 PSI [26 BAR] MINIMUM
3. BURST PRESSURE WITHOUT VENT: 480 PSI [33 BAR] MINIMUM
4. CAPACITY: 32.65 CU IN [535 ML]

DRAWN BY: *S.T.*

CHECKED BY:

APPROVED BY:

TOLERANCES
(EXCEPT AS NOTED)

DECIMAL XXX .005

DECIMAL XX .01

ANGLE .25°



3101 SEXTON ROAD
DECATUR, AL. 35603-1453
PHONE: (256)355-5850
FAX: (256)351-8730

THE GREEN LOGO
INDICATES A CONTROLLED
DOCUMENT. IF THE LOGO
APPEARS BLACK, THIS
PAGE IS CONSIDERED TO
BE USED FOR TRAINING OR
REFERENCE ONLY.

TITLE: 211 x 604 AEROSOL WITH HV400 BOTTOM. (A81)

LINE#: NA

DATE: 2/10/06

SCALE: 1 : 1

MATERIAL: NA

DRAWING : 998D0081
NUMBER

C