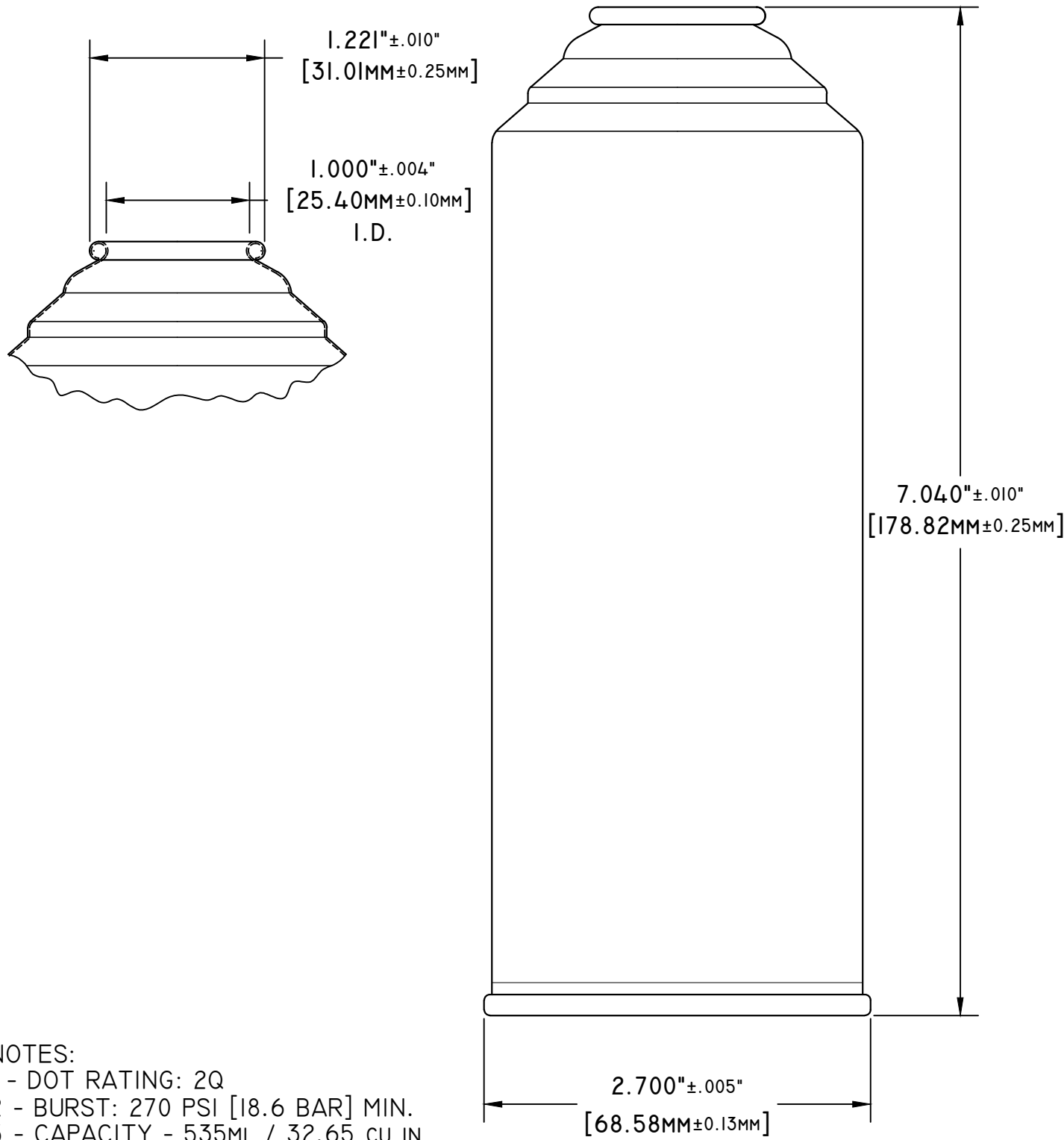


LT.	BY	DATE	REVISION
A	RW	03/15/12	ADDED METRIC DIMS



NOTES:
 1 - DOT RATING: 2Q
 2 - BURST: 270 PSI [18.6 BAR] MIN.
 3 - CAPACITY - 535ML / 32.65 CU IN

DRAWN BY: *S.T.*
 CHECKED BY:
 APPROVED BY:
 TOLERANCES
 (EXCEPT AS NOTED)



3101 SEXTON ROAD
 DECATUR, AL. 35603-1453
 PHONE: (256)355-5850
 FAX: (256)351-8730

THE GREEN LOGO
 INDICATES A CONTROLLED
 DOCUMENT. IF THE LOGO
 APPEARS BLACK, THIS
 PAGE IS CONSIDERED TO
 BE USED FOR TRAINING OR
 REFERENCE ONLY.

DECIMAL XXX .005	TITLE: 211 x 604 AEROSOL w/ PLAIN BOTTOM (A61)		
DECIMAL XX .01	LINE#: NA	DATE: 2/10/06	DRAWING : 998D0061
ANGLE .25°	SCALE: 1 : 1	MATERIAL: NA	
			A