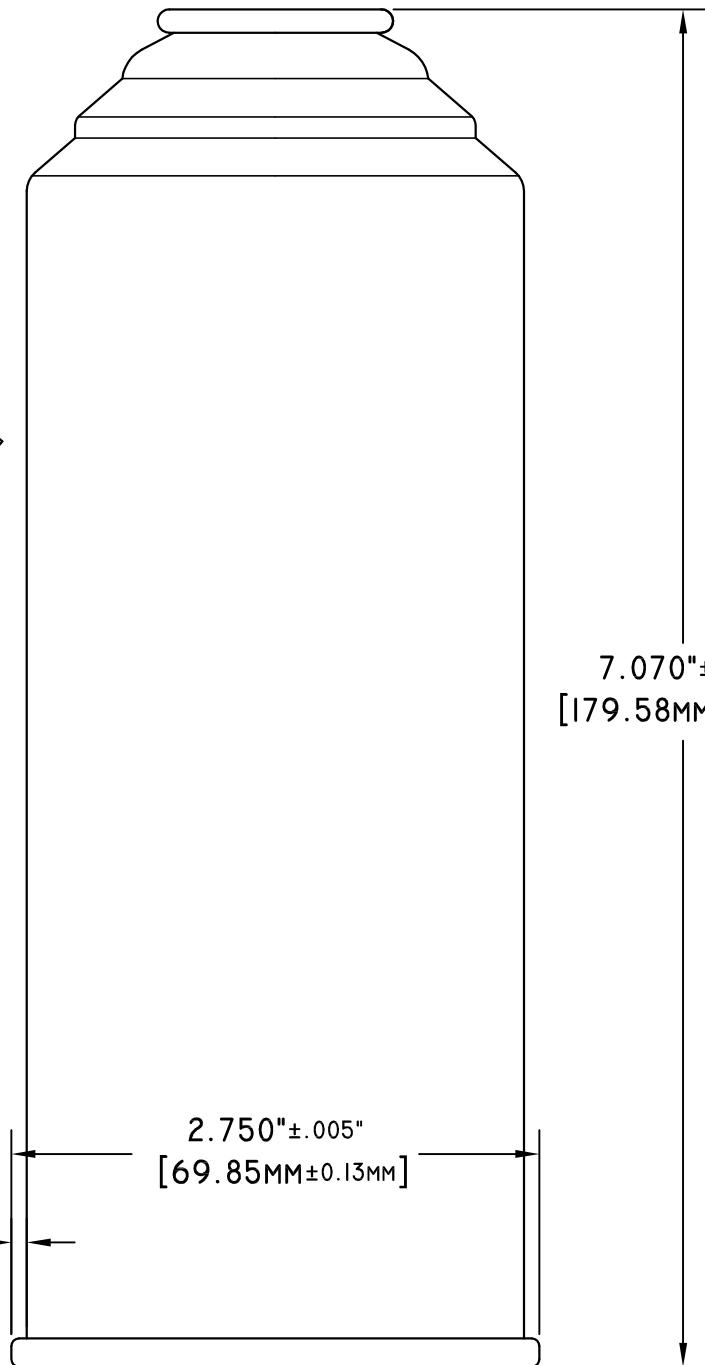
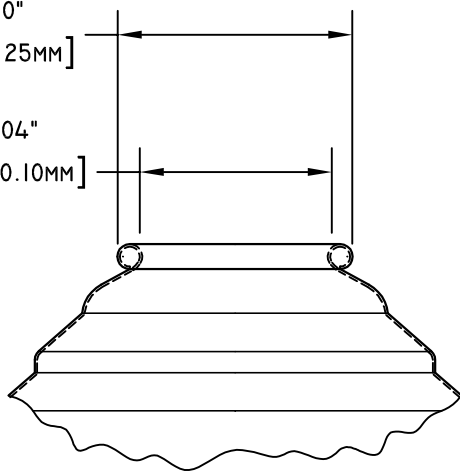


LT.	BY	DATE	REVISION
A	ST	02/27/12	ADDED METRIC DIMS, REVISED PRESSURES

1.221"±.010"  
[31.01MM±0.25MM]

1.000"±.004"  
[25.40MM±0.10MM]  
I.D.



7.070"±.010"  
[179.58MM±0.25MM]

2.750"±.005"  
[69.85MM±0.13MM]

.080"  
[2.04MM]

**NOTES:**

1. CONTAINER COMPLIES WITH SPECIAL PERMIT SPII917
2. VENT PRESSURE: 420 PSI [29 BAR] MIN. - 480 [33 BAR] MAX.
3. CAPACITY: 32.65 CU IN [535 ML]

DRAWN BY: *S.T.*

CHECKED BY:

APPROVED BY:

TOLERANCES  
(EXCEPT AS NOTED)

DECIMAL XXX .005

DECIMAL XX .01

ANGLE .25°

**ITW SEXTON**

3101 SEXTON ROAD  
DECATUR, AL. 35603-1453  
PHONE: (256)355-5850  
FAX: (256)351-8730

THE GREEN LOGO  
INDICATES A CONTROLLED  
DOCUMENT. IF THE LOGO  
APPEARS BLACK, THIS  
PAGE IS CONSIDERED TO  
BE USED FOR TRAINING OR  
REFERENCE ONLY.

TITLE: 211 x 604 AEROSOL WITH R-22 BOTTOM (A24)

LINE#: NA

DATE: 2/10/06

SCALE: 1 : 1

MATERIAL: NA

DRAWING : 998D0024-1  
NUMBER

A