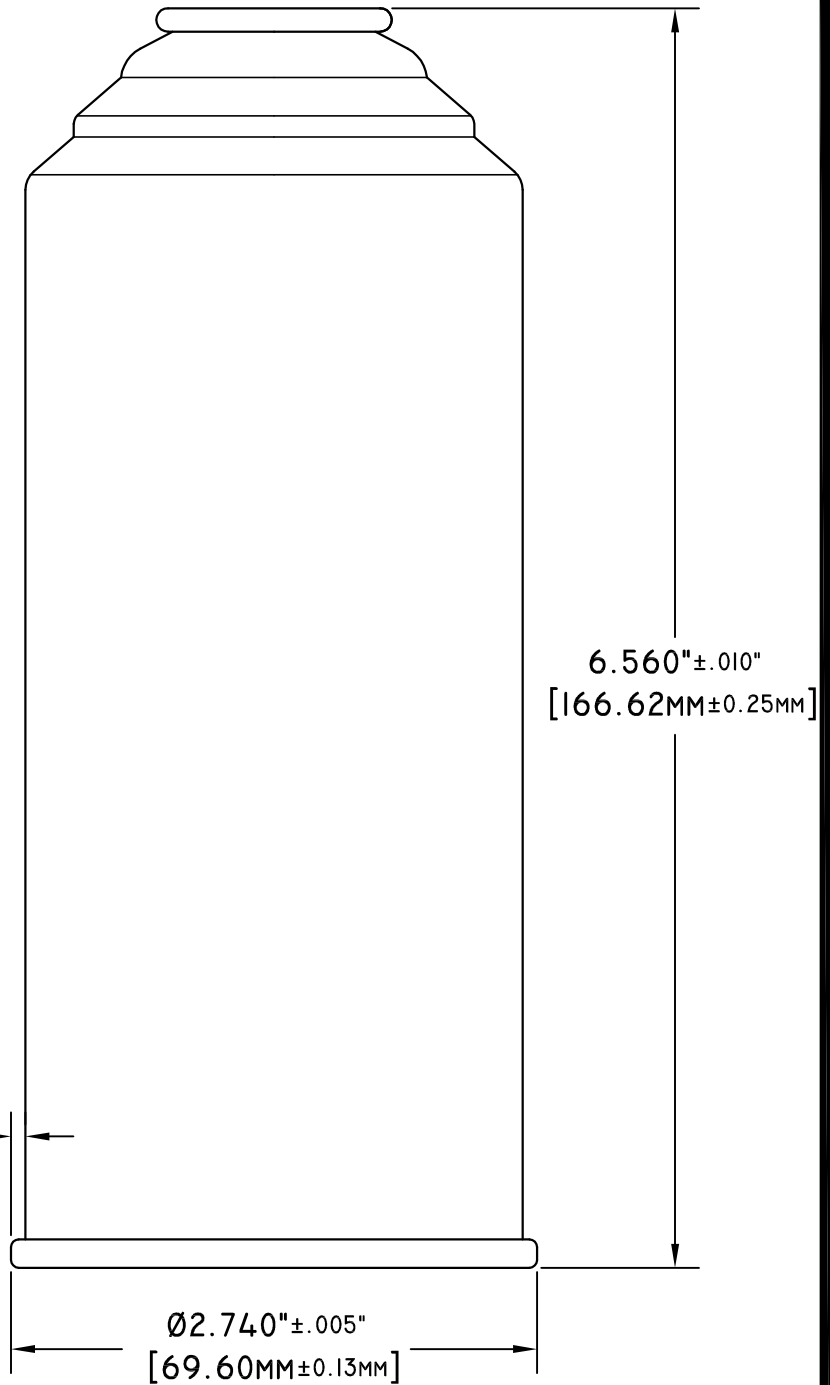
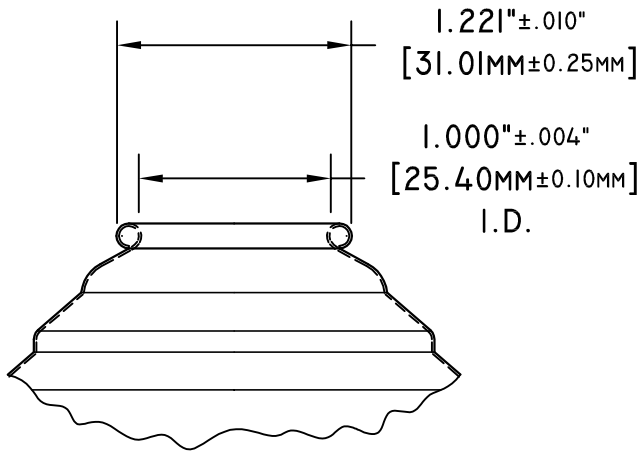


LT.	BY	DATE	REVISION
A	ST	02/22/12	REVISED PRESSURES



NOTES:

1. CONTAINER COMPLIES WITH SPECIAL PERMIT SPI0232
2. VENT PRESSURE: 380 PSI [26 BAR] MINIMUM
3. BURST PRESSURE WITHOUT VENT: 480 PSI [33 BAR] MINIMUM
4. CAPACITY: 29.90 CU IN [490 ML]

DRAWN BY: RW
CHECKED BY:
APPROVED BY:
TOLERANCES (EXCEPT AS NOTED)



3101 SEXTON ROAD
 DECATUR, AL. 35603-1453
 PHONE: (256)355-5850
 FAX: (256)351-8730

THE GREEN LOGO
 INDICATES A CONTROLLED
 DOCUMENT. IF THE LOGO
 APPEARS BLACK, THIS
 PAGE IS CONSIDERED TO
 BE USED FOR TRAINING OR
 REFERENCE ONLY.

DECIMAL XXX .005	TITLE: 211 x 512 AEROSOL WITH HV400 BOTTOM (A86)		
DECIMAL XX .01	LINE#: NA	DATE: 2/16/12	DRAWING : 998D0086
ANGLE .25°	SCALE: 1 : 1	MATERIAL: NA	
			A