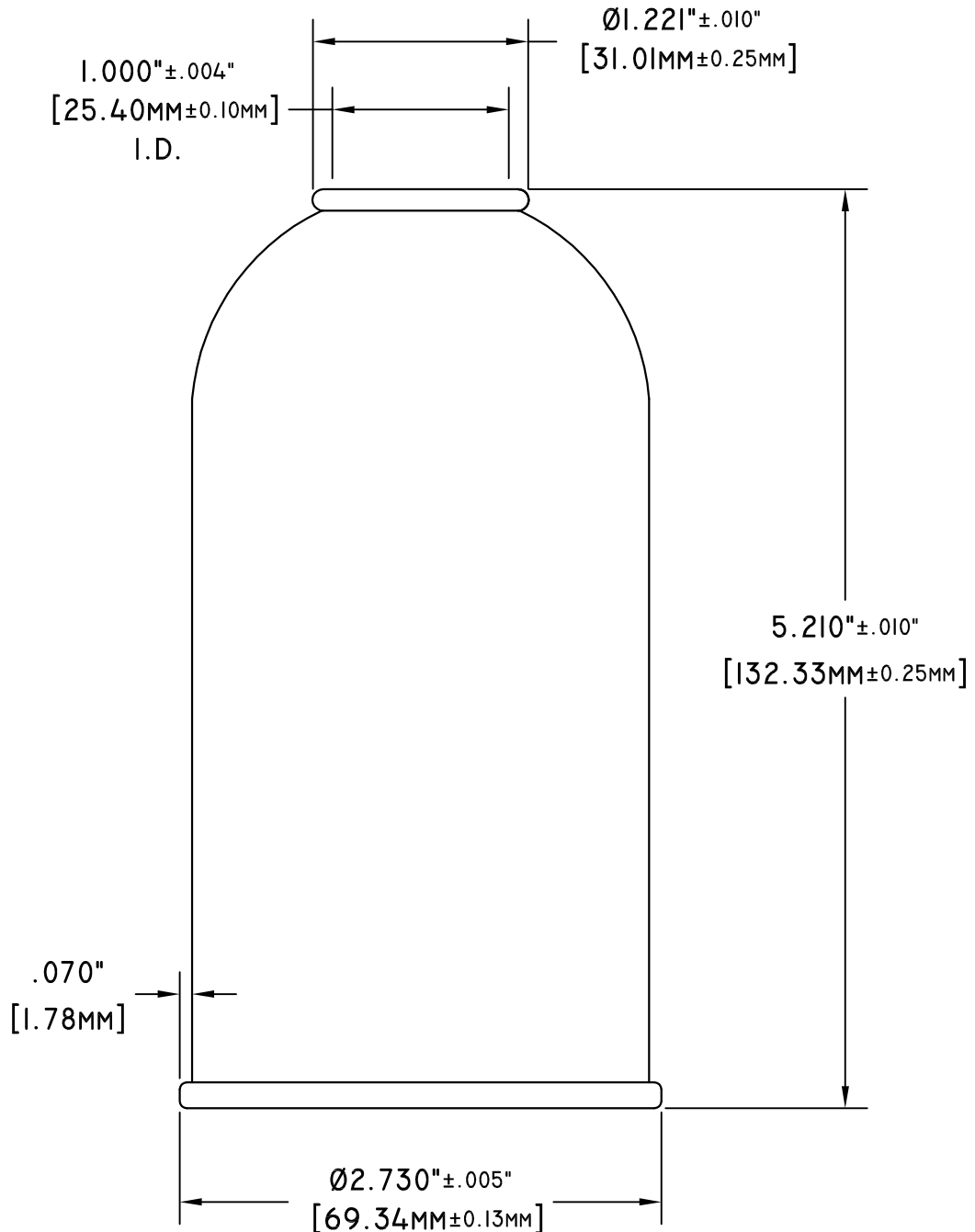


LT.	BY	DATE	REVISION
A	RW	01/19/12	ADDED METRIC UNITS
B	ST	02/22/12	REVISED PRESSURES



NOTES:

1. CONTAINER COMPLIES WITH SPECIAL PERMIT SPI0232
2. VENT PRESSURE: 380 PSI [26 BAR] MINIMUM
3. BURST PRESSURE WITHOUT VENT: 480 PSI [33 BAR] MINIMUM
4. CAPACITY: 23.19 CU IN [380 ML]

DRAWN BY: *S.T.*
 CHECKED BY:
 APPROVED BY:
 TOLERANCES
 (EXCEPT AS NOTED)



3101 SEXTON ROAD
 DECATUR, AL. 35603-1453
 PHONE: (256)355-5850
 FAX: (256)351-8730

THE GREEN LOGO INDICATES A CONTROLLED DOCUMENT. IF THE LOGO APPEARS BLACK, THIS PAGE IS CONSIDERED TO BE USED FOR TRAINING OR REFERENCE ONLY.

DECIMAL XXX .005	TITLE: 211 x 406 DOME WITH HV400 BOTTOM. (A90)		
DECIMAL XX .01	LINE#: NA	DATE: 2/10/06	DRAWING : 998D0090
ANGLE .25°	SCALE: 1 : 1	MATERIAL: NA	
			B