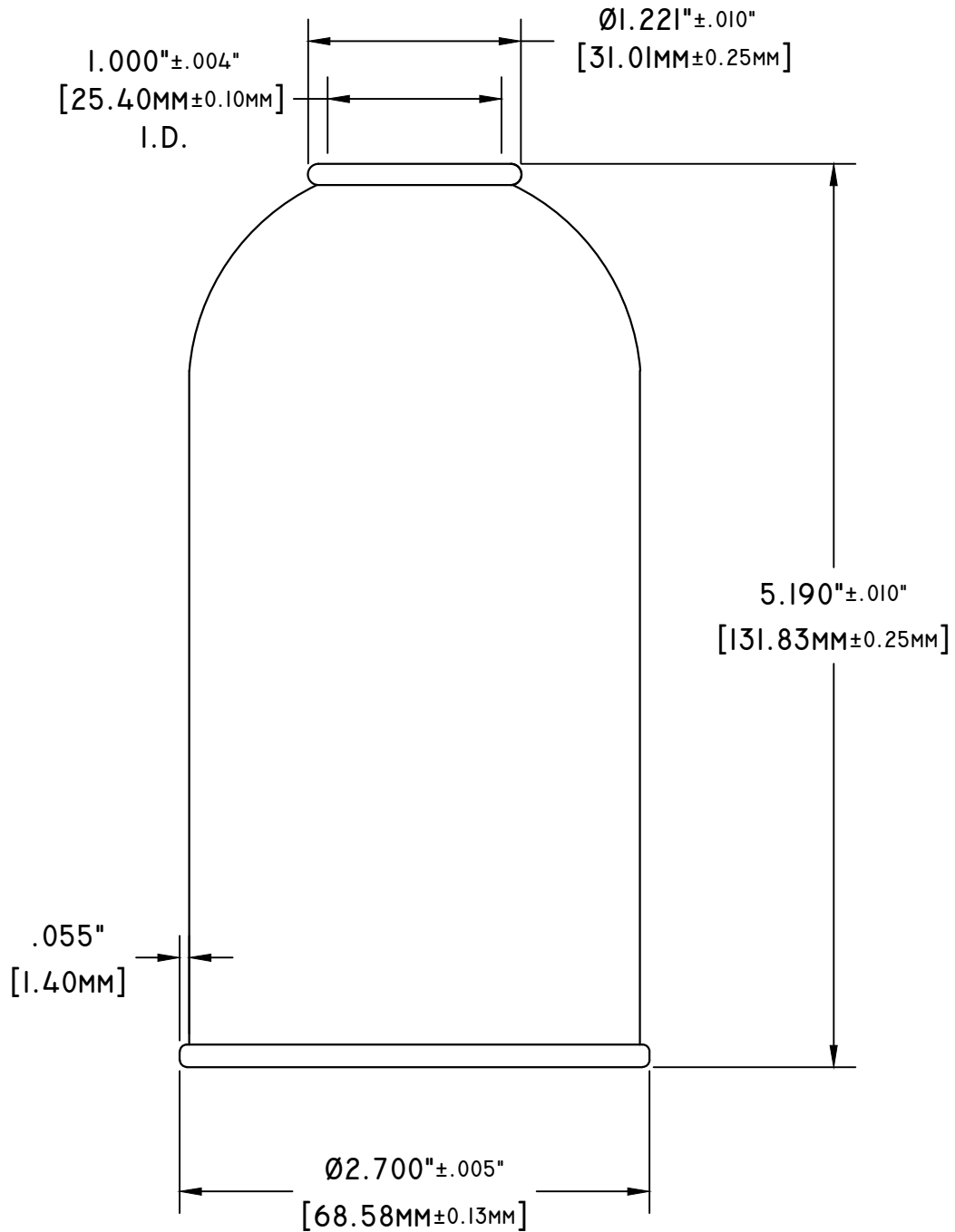


LT.	BY	DATE	REVISION
A	RW	03/15/12	ADDED METRIC DIMS



NOTE:

- 1 - DOT RATING: 2P/2Q
- 2 - BURST: 2P = 240 PSI [16.5 BAR] MIN.  
2Q = 270 PSI [18.6 BAR] MIN.
- 3 - CAPACITY: 375ML / 22.88 CU IN

DRAWN BY: <i>S.T.</i>
CHECKED BY:
APPROVED BY:
TOLERANCES (EXCEPT AS NOTED)



3101 SEXTON ROAD  
 DECATUR, AL. 35603-1453  
 PHONE: (256)355-5850  
 FAX: (256)351-8730

THE GREEN LOGO  
 INDICATES A CONTROLLED  
 DOCUMENT. IF THE LOGO  
 APPEARS BLACK, THIS  
 PAGE IS CONSIDERED TO  
 BE USED FOR TRAINING OR  
 REFERENCE ONLY.

DECIMAL XXX .005	TITLE: 2II x 406 DOME WITH PLAIN BOTTOM. (A48)		
DECIMAL XX .01	LINE#: NA	DATE: 2/10/06	DRAWING : 998D0048
ANGLE .25°	SCALE: 1 : 1	MATERIAL: NA	

A