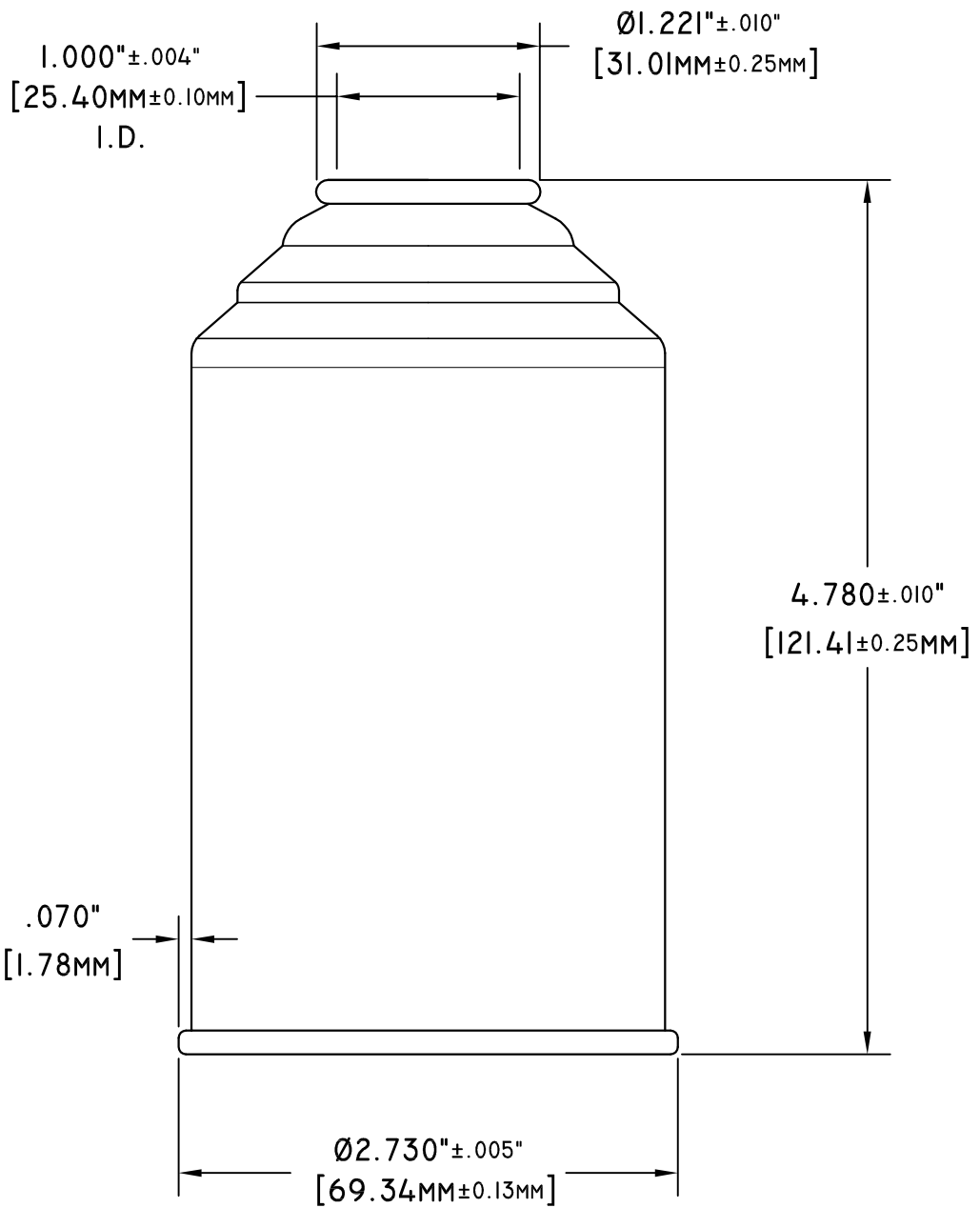


LT.	BY	DATE	REVISION



**NOTES:**

1. CONTAINER COMPLIES WITH SPECIAL PERMIT SPI0232
2. VENT PRESSURE: 380 PSI [26 BAR] MINIMUM
3. BURST PRESSURE WITHOUT VENT: 480 PSI [33 BAR] MINIMUM
4. CAPACITY: 20.70 CU IN [339 ML]

DRAWN BY: *S.T.*  
 CHECKED BY:  
 APPROVED BY:  
 TOLERANCES  
 (EXCEPT AS NOTED)



3101 SEXTON ROAD  
 DECATUR, AL. 35603-1453  
 PHONE: (256)355-5850  
 FAX: (256)351-8730

THE GREEN LOGO INDICATES A CONTROLLED DOCUMENT. IF THE LOGO APPEARS BLACK, THIS PAGE IS CONSIDERED TO BE USED FOR TRAINING OR REFERENCE ONLY.

DECIMAL XXX .005	TITLE: 211 x 400 STEP WITH HV400 BOTTOM. (A84)		
DECIMAL XX .01	LINE#: NA	DATE: 02/22/12	DRAWING : 998D0084
ANGLE .25°	SCALE: 1 : 1	MATERIAL: NA	NUMBER