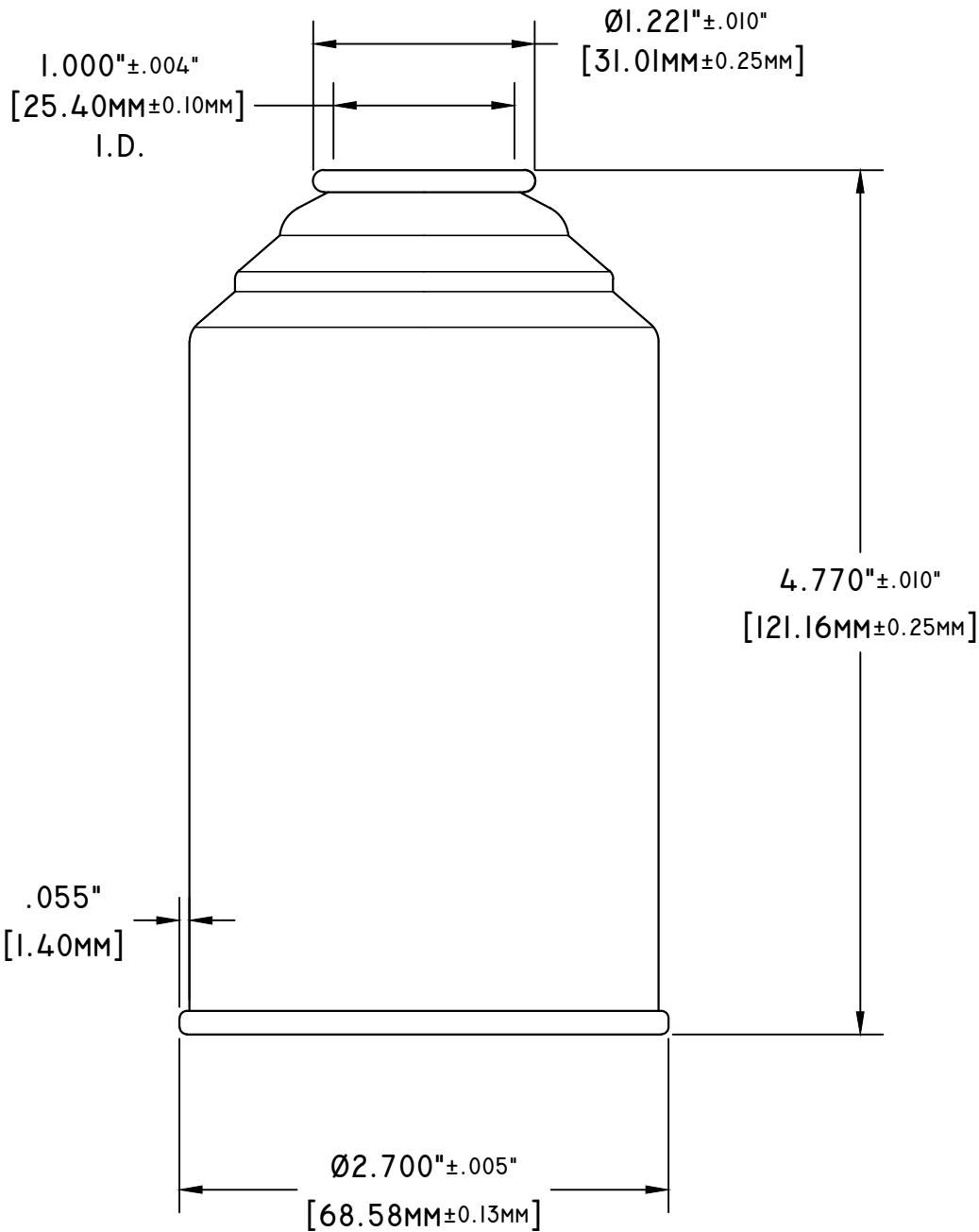


LT.	BY	DATE	REVISION
A	RW	03/15/12	ADDED METRIC DIMS



NOTES:

- 1 - DOT RATING: 2P/2Q
- 2 - BURST: 2P = 240 PSI [16.5 BAR] MIN.
2Q = 270 PSI [18.6 BAR] MIN.
- 3 - CAPACITY: 334 ML / 20.38 CU IN

DRAWN BY: *S.T.*

CHECKED BY:

APPROVED BY:

TOLERANCES
(EXCEPT AS NOTED)



3101 SEXTON ROAD
 DECATUR, AL. 35603-1453
 PHONE: (256)355-5850
 FAX: (256)351-8730

THE GREEN LOGO INDICATES A CONTROLLED DOCUMENT. IF THE LOGO APPEARS BLACK, THIS PAGE IS CONSIDERED TO BE USED FOR TRAINING OR REFERENCE ONLY.

DECIMAL XXX .005	TITLE: 211 x 400 AEROSOL WITH PLAIN BOTTOM. (A20)		
DECIMAL XX .01	LINE#: NA	DATE: 2/10/06	DRAWING : 998D0020
ANGLE .25°	SCALE: 1 : 1	MATERIAL: NA	
			A