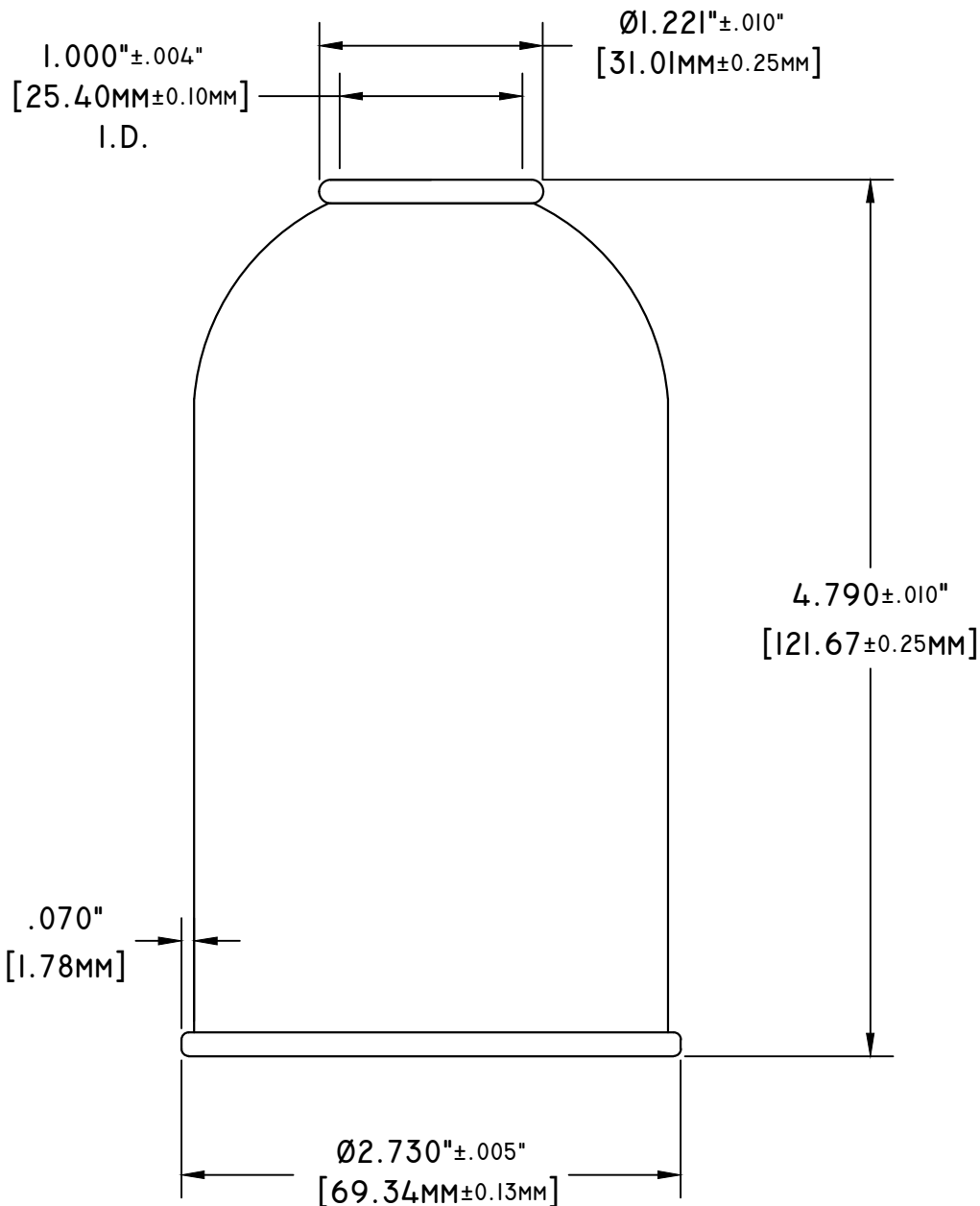


LT.	BY	DATE	REVISION



NOTES:

1. CONTAINER COMPLIES WITH SPECIAL PERMIT SPI0232
2. VENT PRESSURE: 380 PSI [26 BAR] MINIMUM
3. BURST PRESSURE WITHOUT VENT: 480 PSI [33 BAR] MINIMUM
4. CAPACITY: 20.85 CU IN [342 ML]

DRAWN BY: *S.T.*
 CHECKED BY:
 APPROVED BY:
 TOLERANCES
 (EXCEPT AS NOTED)



3101 SEXTON ROAD
 DECATUR, AL. 35603-1453
 PHONE: (256)355-5850
 FAX: (256)351-8730

THE GREEN LOGO
 INDICATES A CONTROLLED
 DOCUMENT. IF THE LOGO
 APPEARS BLACK, THIS
 PAGE IS CONSIDERED TO
 BE USED FOR TRAINING OR
 REFERENCE ONLY.

DECIMAL XXX .005	TITLE: 2II x 400 DOME WITH HV400 BOTTOM (A89)		
DECIMAL XX .01	LINE#: NA	DATE: 04/13/15	DRAWING : 998D0089
ANGLE .25°	SCALE: 1 : 1	MATERIAL: NA	NUMBER