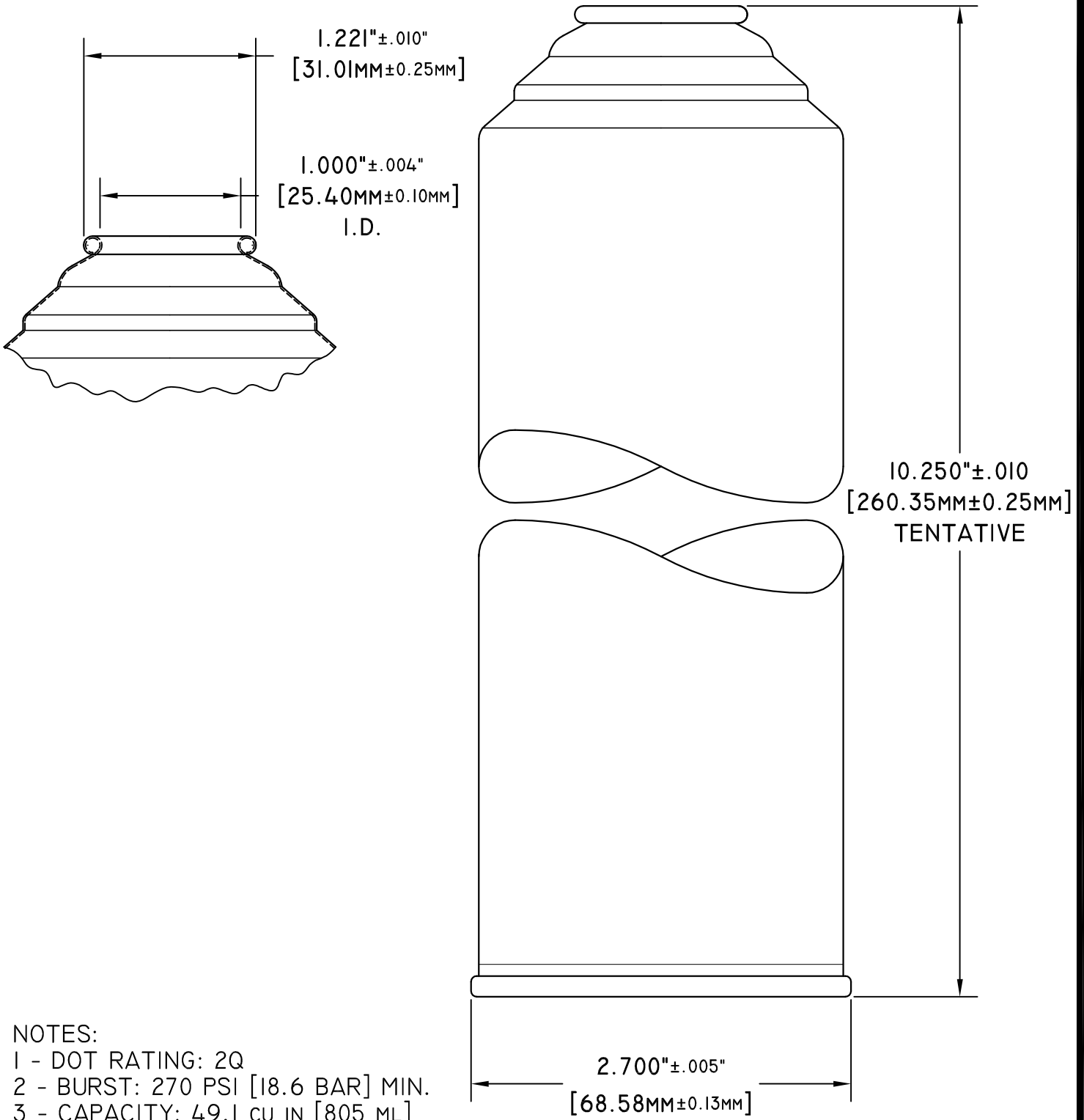


| LT. | BY | DATE | REVISION |
|-----|----|------|----------|
|     |    |      |          |



NOTES:  
 1 - DOT RATING: 2Q  
 2 - BURST: 270 PSI [18.6 BAR] MIN.  
 3 - CAPACITY: 49.1 CU IN [805 ML]

DRAWN BY: *S.T.*  
 CHECKED BY:  
 APPROVED BY:  
 TOLERANCES  
 (EXCEPT AS NOTED)



3101 SEXTON ROAD  
 DECATUR, AL. 35603-1453  
 PHONE: (256)355-5850  
 FAX: (256)351-8730

THE GREEN LOGO  
 INDICATES A CONTROLLED  
 DOCUMENT. IF THE LOGO  
 APPEARS BLACK, THIS  
 PAGE IS CONSIDERED TO  
 BE USED FOR TRAINING OR  
 REFERENCE ONLY.

|                  |   |                |                              |
|------------------|---|----------------|------------------------------|
| DECIMAL XXX .005 | TITLE: 211 x 1004 AEROSOL w/ PLAIN BOTTOM (A29) |                |                              |
| DECIMAL XX .01   | LINE#: NA                                       | DATE: 03/06/13 | DRAWING : 998D0029<br>NUMBER |
| ANGLE .25°       | SCALE: 1 : 1                                    | MATERIAL: NA   |                              |