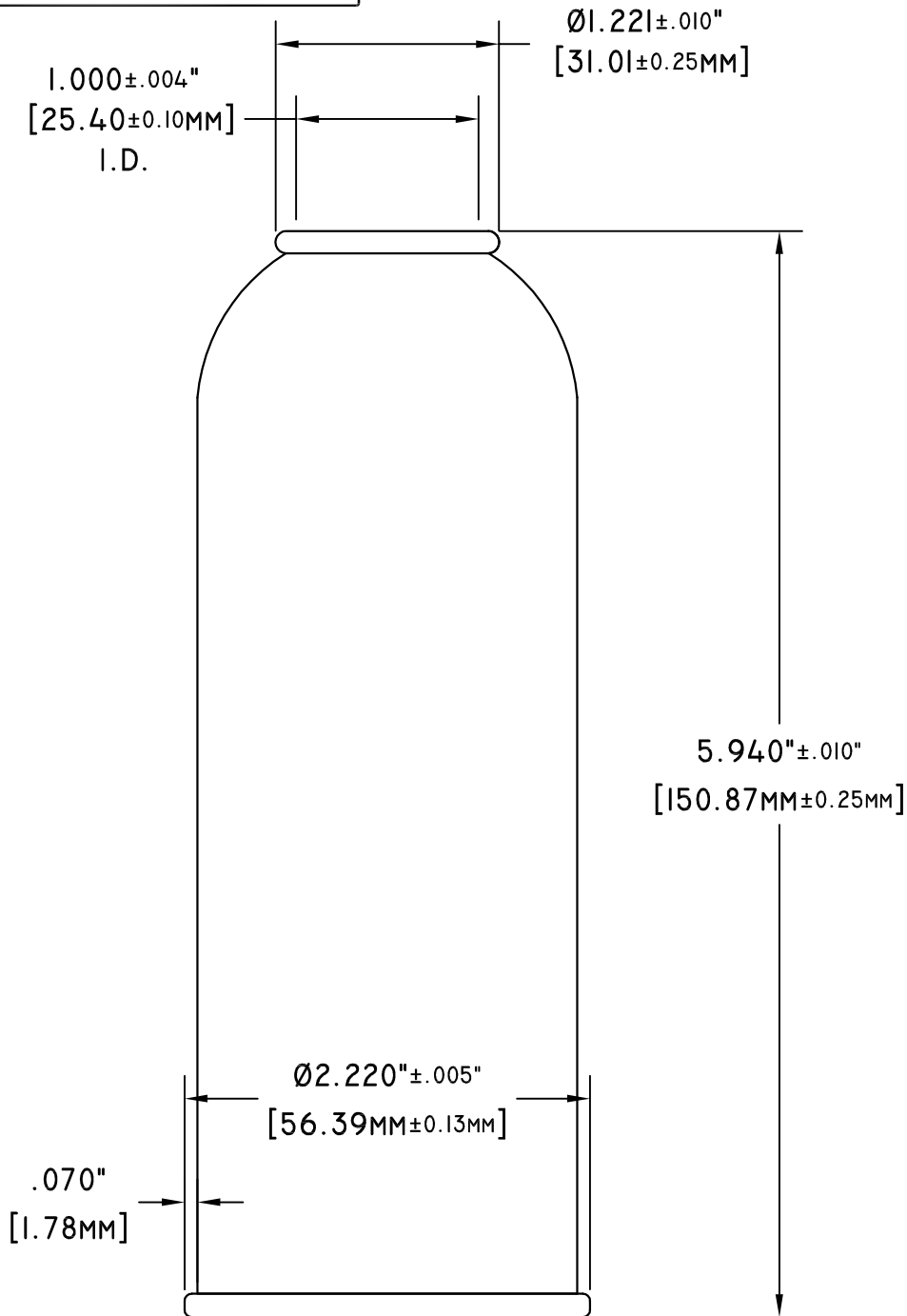


LT.	BY	DATE	REVISION
A	ST	02/22/12	ADDED METRIC DIMS, REVISED PRESSURES



NOTES:

1. CONTAINER COMPLIES WITH SPECIAL PERMIT SPI0232
2. VENT PRESSURE: 380 PSI [26 BAR] MINIMUM
3. BURST PRESSURE WITHOUT VENT: 480 PSI [33 BAR] MINIMUM
4. CAPACITY: 18.00 CU IN [295 ML]

DRAWN BY: *S.T.*

CHECKED BY:

APPROVED BY:

TOLERANCES
(EXCEPT AS NOTED)

DECIMAL XXX .005

DECIMAL XX .01

ANGLE .25°



3101 SEXTON ROAD
 DECATUR, AL. 35603-1453
 PHONE: (256)355-5850
 FAX: (256)351-8730

THE GREEN LOGO
 INDICATES A CONTROLLED
 DOCUMENT. IF THE LOGO
 APPEARS BLACK, THIS
 PAGE IS CONSIDERED TO
 BE USED FOR TRAINING OR
 REFERENCE ONLY.

TITLE: 202 x 509 DOME WITH DROC BOTTOM (A41)

LINE#: NA

DATE: 2/10/06

SCALE: 1 : 1

MATERIAL: NA

DRAWING : 998D0041
 NUMBER

A