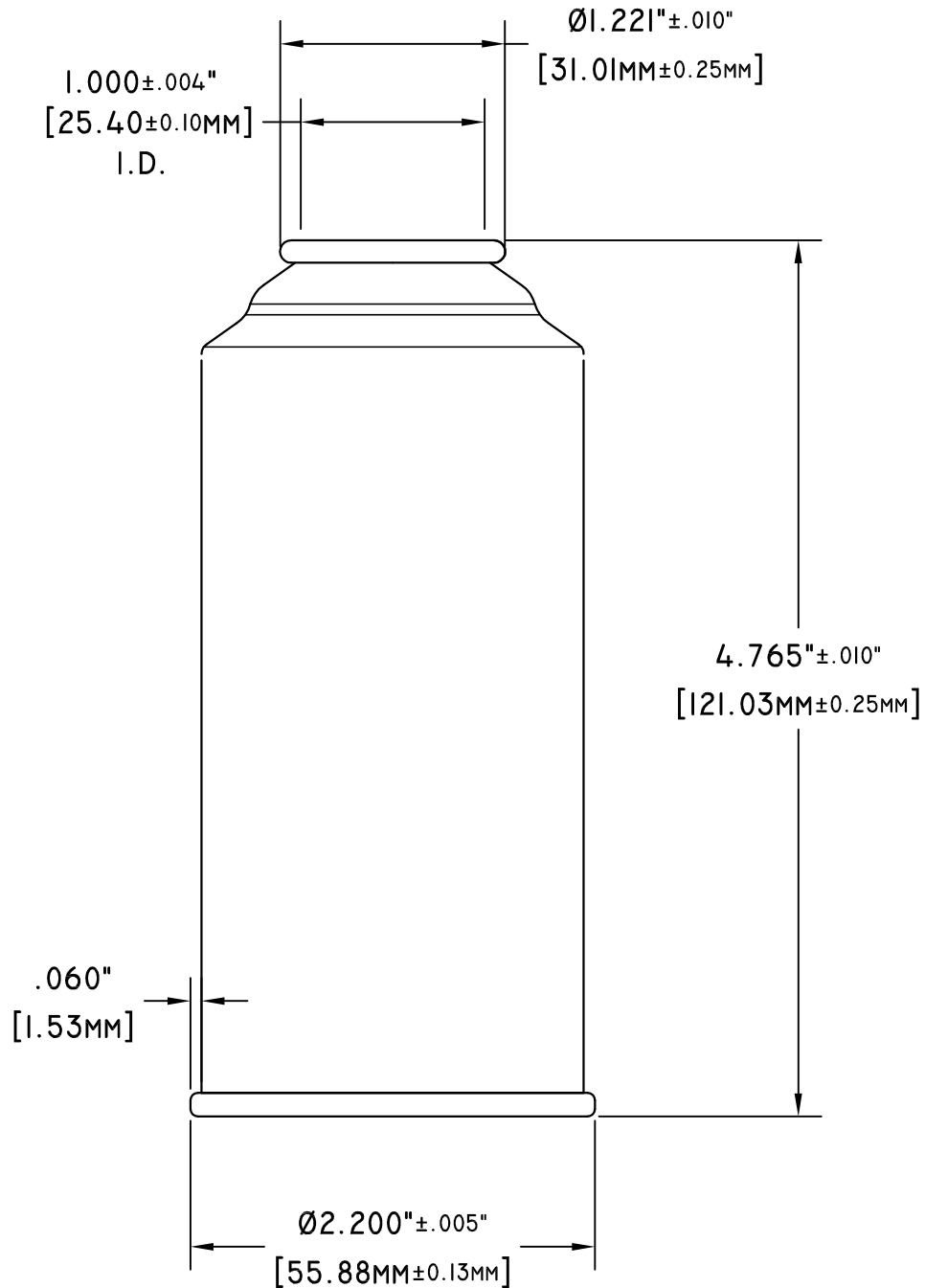


LT.	BY	DATE	REVISION
A	ST	02/27/12	ADDED METRIC DIMS, REVISED PRESSURES



**NOTES:**

1. CONTAINER COMPLIES WITH SPECIAL PERMIT SP9393
2. VENT PRESSURE: 420 PSI [29 BAR] MIN. - 480 [33 BAR] MAX.
3. CAPACITY: 13.79 CU IN [226 ML]

DRAWN BY: *S.T.*

CHECKED BY:

APPROVED BY:

TOLERANCES  
(EXCEPT AS NOTED)

DECIMAL XXX .005

DECIMAL XX .01

ANGLE .25°



3101 SEXTON ROAD  
DECATUR, AL. 35603-1453  
PHONE: (256)355-5850  
FAX: (256)351-8730

THE GREEN LOGO  
INDICATES A CONTROLLED  
DOCUMENT. IF THE LOGO  
APPEARS BLACK, THIS  
PAGE IS CONSIDERED TO  
BE USED FOR TRAINING OR  
REFERENCE ONLY.

TITLE: 202 x 406 AEROSOL WITH R-23 BOTTOM (A23)

LINE#: NA

DATE: 2/10/06

SCALE: 1 : 1

MATERIAL: NA

DRAWING : 998D0023  
NUMBER

A