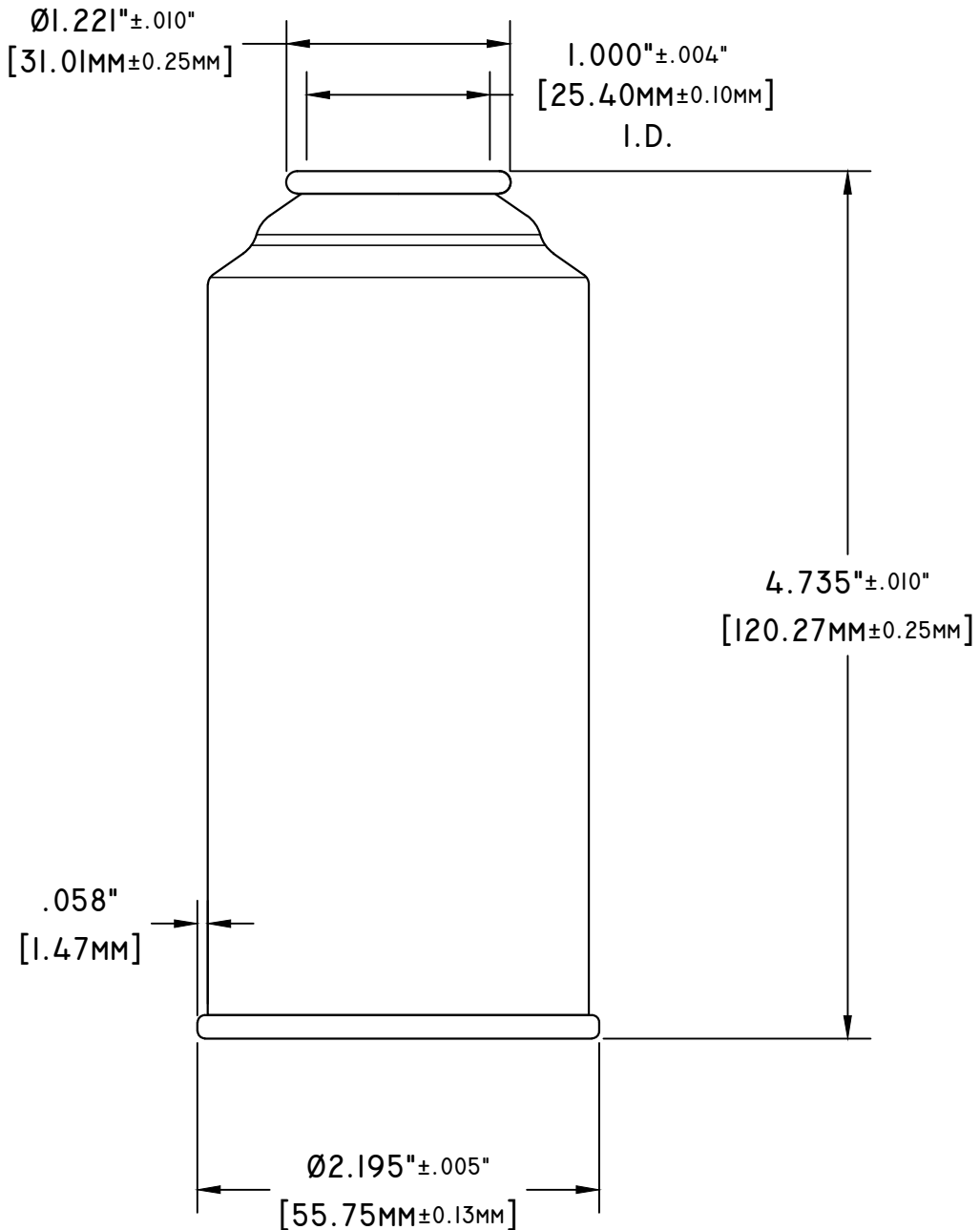


LT.	BY	DATE	REVISION
A	RW	11/10/11	REVISED OVERALL HEIGHT
B	RW	03/15/12	ADDED METRIC DIMENSIONS



NOTES:

- 1 - DOT RATING: 2P/2Q
- 2 - BURST: 2P = 240 PSI [16.54 BAR] MIN.
2Q = 270 PSI [18.61 BAR] MIN.
- 3 - CAPACITY: 228ML / 13.91 CU IN

DRAWN BY: <i>S.T.</i>
CHECKED BY:
APPROVED BY:
TOLERANCES (EXCEPT AS NOTED)



3101 SEXTON ROAD
 DECATUR, AL. 35603-1453
 PHONE: (256)355-5850
 FAX: (256)351-8730

THE GREEN LOGO
 INDICATES A CONTROLLED
 DOCUMENT. IF THE LOGO
 APPEARS BLACK, THIS
 PAGE IS CONSIDERED TO
 BE USED FOR TRAINING OR
 REFERENCE ONLY.

DECIMAL XXX .005	TITLE: 202 x 406 AEROSOL WITH PLAIN BOTTOM (A02)		
DECIMAL XX .01	LINE#: NA	DATE: 2/10/06	DRAWING : 998D0002
ANGLE .25°	SCALE: 1 : 1	MATERIAL: NA	
			B